



*checkweigher*  
**checkweigher**  
*checkweigher*

**09D3**





**checkweigher**

**09D3**

## Equipment

- Digital electronics with alphanumeric graphic display panel
- Electronic self-calibration device
- Production data management in conformity with the standards in force
- Speed adjustable from keypad
- Mobile average function
- 100 storable product programs
- RS232 serial port
- Conveyors easily removable

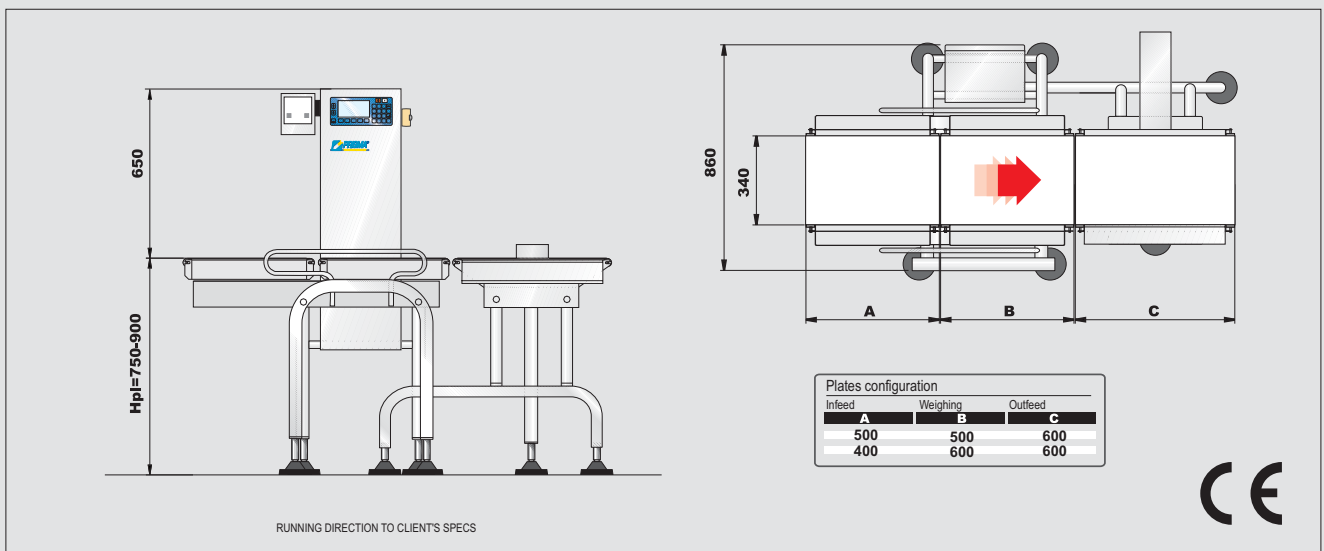
## Accessories

- Ejection systems
- Reject management systems
- Infeed and outfeed conveyors
- Wind-prevention tunnel
- Feed-back function
- 24-columns panel printer
- Open flap control device
- Data collection via network
- Conformity with standards ISO-FDA-HACCP

## Technical specifications

Capacity	10.000 g
Linear speed	up to 75 m/1'
Output	up to 150 PPM
Display division	1 g + 2 g + 5 g
Accuracy from	± 0,5 g
Pneumatic supply	0,6 Mpa
Air consumption (for ejection)	5 NI
Power supply	230V 50/60Hz single-phase
Power consumption	800 W
Version	Stainless steel IP55 -IP65

## 09D3



© 2002 - 2005 PRISMA INDUSTRIALE - REV 09/2005



Prisma Industriale S.r.l.

• Via La Bionda, 17 - 43036 Fidenza - Parma - Italy • Tel. +39 0524 527270 - Fax +39 0524 524142  
 • www.prismaindustriale.com • info@prismaindustriale.com

Data appearing in this brochure may be modified without prior warning.  
 The machine used in this document is with all options