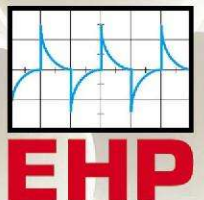


DIGITAL CRANE SCALE LD

The latest remote controlled
low priced crane weigher
for industrial weighing
applications



complete with remote control



DIGITAL CRANE SCALE LD

complete with remote control



Typ* LD	Range (in kg)	Self weight (in kg)	Incre- ments (in kg)
LD 0,5	0-500	10,5	0,1
LD 1	0-1.000	10,5	0,2
LD 2	0-2.000	10,5	0,5
LD 5	0-5.000	18	1,0
LD 10	0-10.000	35	2,0

System protected to IP 65

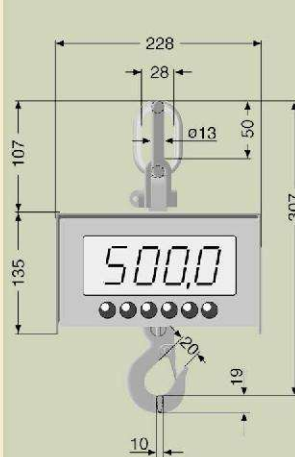
* Preferential option: scales may be supplied without hook and shackle please state at time of order.

- Principle:** Tension load cell in stainless steel
- Accuracy:** ± 0,03%
- Liquid crystal digital LCD display:** 7-Segment
- Height of digits:** 40 mm
- Digit display readable from a distance of 30 Metres**
- Control voltage:** 12 Volt DC sealed lead acid battery rechargeable usage between charges at least 110 hours
- Safe working temperature range:** -10°C bis +80°C

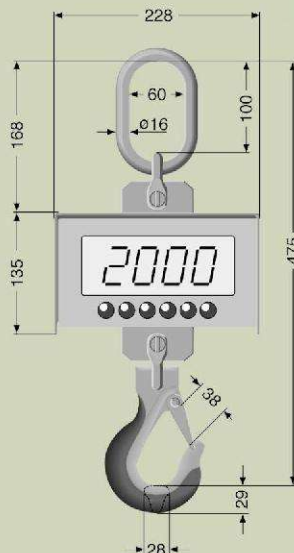
DIGITAL CRANE SCALE LD

- New style clearly readable digital display
- High accuracy 0,03%
- 3 Years warranty applies to accuracy and functions of load cell / high-grade steel
- Mechanical overload to 500% of scale capacity
- 100% tare controlled from safe distance by infrared hand-held transmitter
- Automatic battery saver control
- Scale equipped with illuminated display for use in dark locations, i. e., night shift working. Operated by on scale switch, or by remote minitransmitter
- German standards TÜV approved
- Optional: weighing data transmission by radio on several receiving units

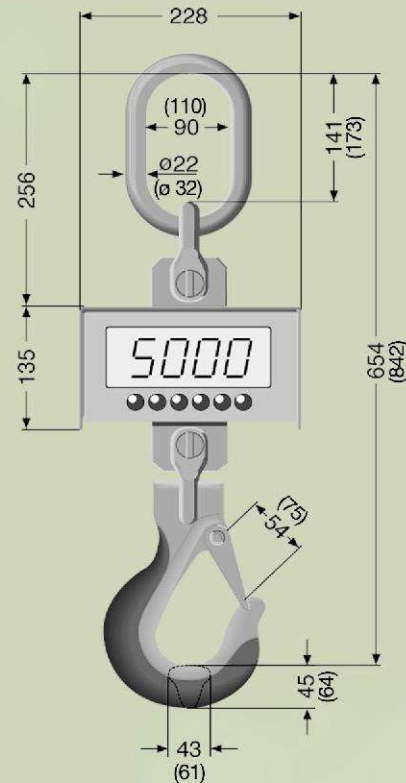
Typ
LD 0,5



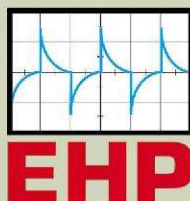
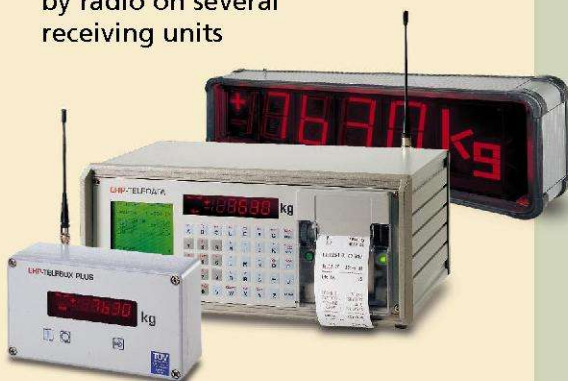
Typen
LD 1 / LD 2



Typ
LD 5 / LD 10



Dimensions in mmm



EHP Wägetechnik GmbH
Dieselstraße 8
D-77815 Bühl (Baden)
Telefon: +49(0)7223/9366-0
Telefax: +49(0)7223/30140
e-mail: info@ehp.de
Internet: www.ehp.de